

# Instruction Manual

## HOW TO SETUP A WIRELESS ROUTER

### What you'll need:

1. Wireless Router



2. Computer



3. DSL or cable modem



4. 2-Cat5 Ethernet cables

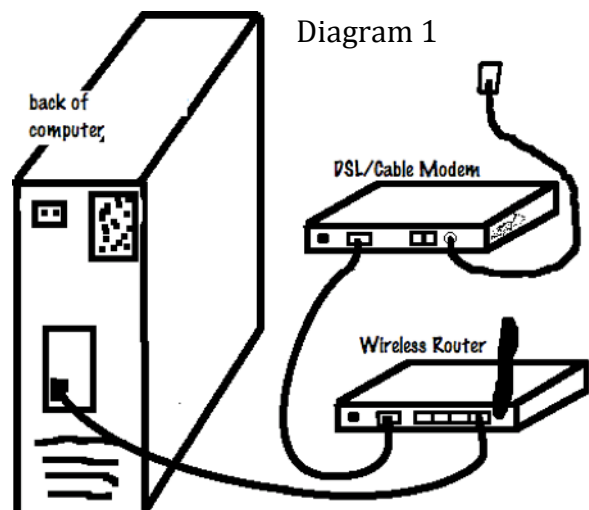


**Before you begin:** be sure to unplug computer from and DSL/cable modem from their respective power sources.

### CONNECTING THE SETUP

1. Make sure your DSL/cable modem has one phone (or cable) wire connected to it from either your wall cable jack or phone jack in your home/business office, depending on what your internet source is. If your DSL/cable modem is connected to your computer by an ethernet cable, then disconnect the end that is connected to your computer and keep the other end plugged into the modem. Now take the free end of the cable and plug it into the "internet" or "WAN" (Wide Area network) port located on the back

of the wireless router. Depending on the



brand of the wireless router, this "internet" or "WAN" port should be distinguishable from

the other ports either by color, label or location.

2. Now take your second ethernet cable and plug one end into the “ethernet” port on the back of your computer. Take the other end of the cable and plug it into the first available “LAN” (Local Area Network) port located on the back of the router-most all different brand routers have at least 4 “LAN” ports and are designated accordingly based on the brand, however, most are numbered visibly.

### POWERING ON DEVICES

**Note:** The order in which each device each device is initially powered on is imperative to a proper setup. This order is only needed for initial setup.

It is also wise to invest in a surge protector for all three devices, modem, router, and computer to protect them from power surges.

1. The first device which is to be powered on is the DSL /cable modem. Connect the modem to its power source and wait at least a minute for it to initialize itself automatically. Be sure that the power light is either on or blinking on the front of the modem and also that the

light on the front of the modem that indicates a connection with the Internet is on or blinking – refer to your modem’s manual to determine which light is the indicator for this.

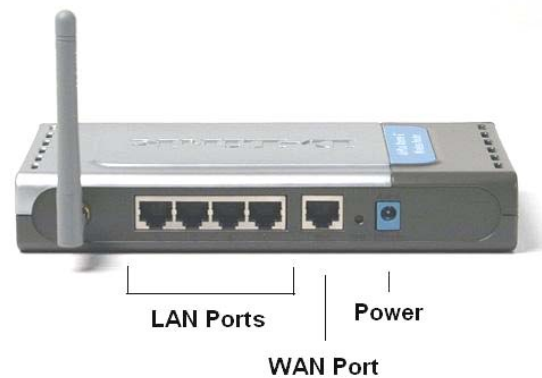
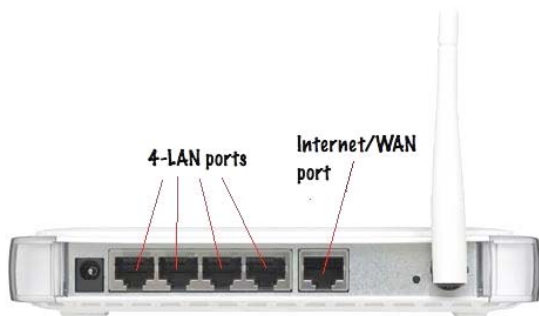
2. Next connect the wireless router to its power source and wait at least a minute for it to initialize. Take a look at the lights and be sure the Internet, wireless, and LAN light indicators are on or blinking green. If either the Internet or wireless light indicators are not on or blinking amber or yellow, unplug both devices from their power sources and repeat previous two steps. If the LAN light corresponding to the port number in which you plugged the ethernet cable from your computer into the back of the router is not on, you may need to wait until the computer has been turned on in the following step.

3. Connect your computer to its power source and boot up the computer.

4. Insert the installation disc that came with your wireless router and install the software onto your computer to configure your wireless router. This entails protecting your router with security, such as a web key or WPA (Wi-Fi protected access), and setting up passwords.

### REFERENCES

Here are a few pictures of the backs of two different wireless routers and their designated ports.



Here is a picture of the front of a wireless router and its designated lights.

